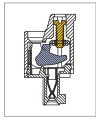
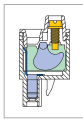


MC310 Pluggable PCB Connector, Plug



MC310-381



MC310-500



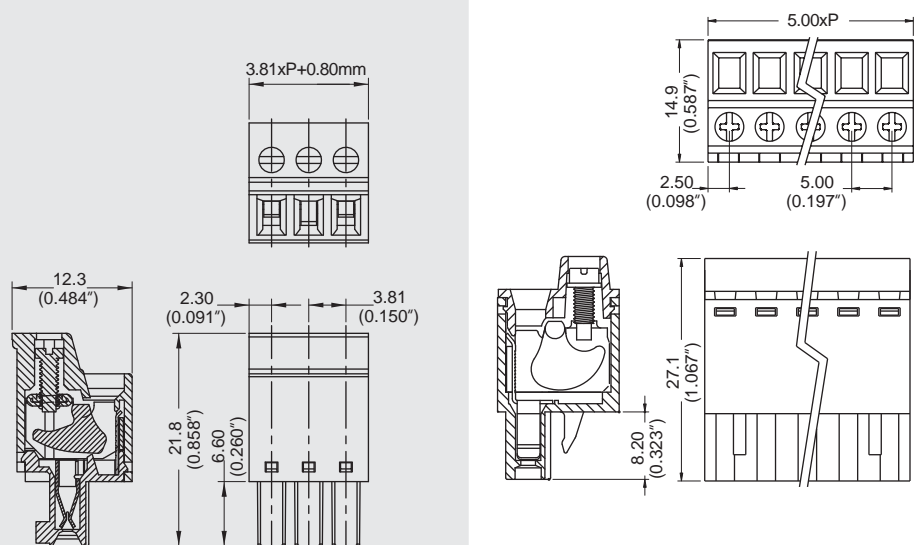
MC

DIMENSIONS/POSITIONS

DIMENSIONS/POSITIONS		MC310-381	MC310-500
間距	Pitch	3.81mm	5.00mm
位數	Poles	2 ~ 20Poles	2 ~ 18Poles
塑膠本體	Housing Material	PA 66	PA 66
壓線圈	Cage Clamp	Steel, Zinc Plated	Brass, Zinc Plated
導電夾片	Contact	Phosphor Bronze, Tin Plated	Phosphor Bronze, Tin Plated
螺紋	Screw Thread	M2.0, Steel, Zinc Plated	M2.6, Steel, Zinc Plated
電線線徑	Wire Size	16 ~ 30AWG	12 ~ 24AWG
剝線長度	Wire Strip Length	9mm	9mm ~ 10mm
最大緊固扭矩	Tightening Torque, Max.	2.5 Lb-in	4.5 Lb-in
環境作業溫度	Operating Temperature	-40°C to +105°C	-40°C to +105°C

TECHNICAL DATA

連接符合標準 Connection in acc. with standard EN-VDE			
額定電流 I _n	Nominal Current I _n	8A	16A
額定橫截面	Nominal Cross Section	1.5mm ²	4.0mm ²
最大負載電流	Maximum load current	8A	16A
絕緣材料	Insulating Material	PA	PA
阻燃等級,符合UL94 Inflammability class acc. to UL94		V0	V0
額定電壓,UL/CUL Nominal voltage, UL/CUL		300V	300V
額定電流,UL/CUL Nominal current, UL/CUL		8A	16A



Note:
Screw Plating: Changes are available upon request